

XYSTON

54W DC CC Driver – Casambi NFC XNALNR54-1400D-NFC-CAS



Product Features

- The intelligent Casambi ecosystem offers an efficient and convenient user experience
- High efficiency of 92%
- Two-channel version available for tunable white lighting
- Dimming range from 1-100% with amplitude dimming, ensuring flicker-free performance
- Provides constant current output
- Supports NFC programming for easy setup
- Easy solution to convert AC powered luminaires to DC
- Supports up to 57VDC power input

CASAMBI



Product Specifications

Max. Input Voltage	24-57 VDC
Max. Input Current	1.4A
Output Voltage	10-49VDC
Max. Output Current	400-1400mA
Max. Output Power	54W
Ambient Temperature, t_a	-20°C to 50°C (-4°F to 122°F)
Max. Case Temperature, t_c	85°C
Storage Temperature	-25°C to 75°C
Max. Relative Humidity	0 to 80%, non-cond.
IP Rating	IP20 (Indoor Use Only)
App	Casambi

XYSTON

54W DC CC Driver - Casambi NFC

XNALNR54-1400D-NFC-CAS

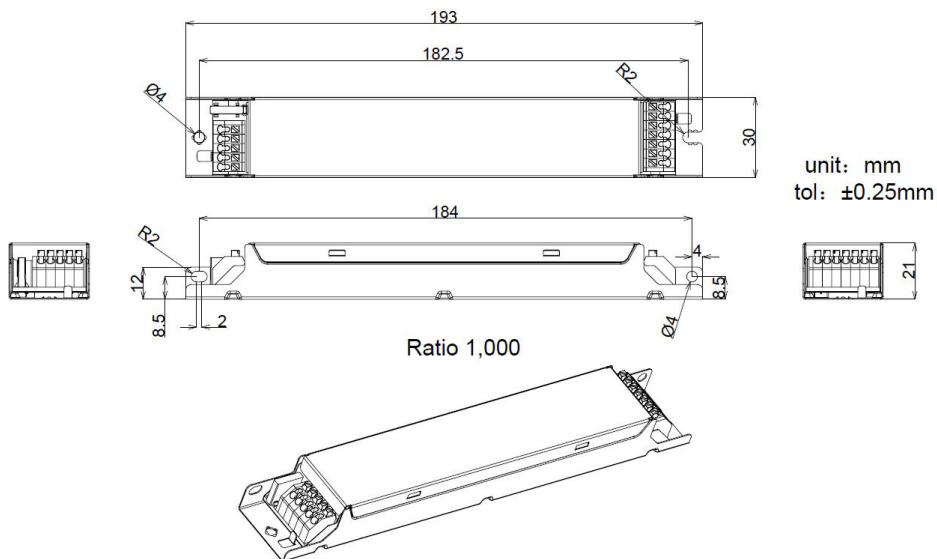
Product Dimensions

Housing Dimensions

Length	193mm / 7.59in
Width	30mm / 1.18in
Height	21mm / 0.82in

Packaging Details

Packing Units	TBD
Carton Size	TBD
Weight	TBD



Wiring Diagram

