

XYSTON

AC Powerpack Controller XNAPPK DALI-0-10V-1CH-CAS



CASAMBI



Product Features

- Fully compatible with Casambi Wireless Mesh Systems
- Long-range, single-channel 0-10V/DALI 2 controller with an integrated 16A relay
- Easily mounts to a 1/2" knockout on light fixtures or enclosures
- Sensor/control input (active high)
- 12V and 24V AUX power outputs
- Commissioning is performed via the Casambi app, compatible with both iOS and Android devices
- Zero voltage detection circuit ensures extended relay lifespan
- Backed by a 5-year warranty

Environmental Specifications

Operating Temperature	-40 °C to 45 °C / -40°F to 113°F
Storage Temperature	-40 °C to 85 °C / -40°F to 185°F
Working Humidity	10% to 90%
Storage Humidity	5% to 95%
Lifetime	at Tc 75°C: 50,000 hrs @ 120 Vac
Maximum Tc temperature	85 °C / 185°F
Lifetime Rating	50,000 hrs
Moisture and Dust Rating	IP20

page 1

Hunan Xiezhen Electronics Co., Ltd.
Block A&B, Building 11, Innovation Park Linyi Road, Bailutang Town
Suxian District, Chenzhou, Hunan - China

Xyston Technology Inc.
655 Raco Dr. Suite A
Lawrenceville, GA. 30046

version: 2024.10.23-1.0

XYSTON

AC Powerpack Controller

XNAPPK DALI-0-10V-1CH-CAS

Electrical Specifications

Main Voltage Supply

Rated Input Voltage Range	100-277 Vac
Max. Input Voltage Range	108-305 Vac
Rated Frequency Range	50/60 Hz
Max. Input Current	0.04 A
No-Load Standby Power	< 0.5 W
Max. Load Current	20A resistive, 16A EB / LED
RF Transmit Power	+8 dBm
Turn-On Delay Time	<0.5 seconds
Max. 0 -10V Sinking Current	100 mA
Wireless Frequency	2.4GHz
Wireless Range (Open Air)	≥50 m (164ft)

Protection Against Voltage Peaks

Withstand Voltage	I/p-O/p: 1.5 kVac, < 5 mA 60 sec
Mains Surge Immunity	L-N 1 kV, L-FG 2 kV, N-FG 2 kV

Relay Contact Rating

Rated Input Voltage Range	100-277 Vac
Max. Input Voltage Range	108-305 Vac
Rated Frequency Range	50/60 Hz
Rated Input Current	20A resistive, 16A EB / LED

Output Data

Output Voltage 0-10 V	0-10 Vdc
Output Current 0-10 V	100 mA sinking
Output Voltage DALI	12 Vdc
Output Current DALI	20 mA

XYSTON

AC Powerpack Controller

XNAPPK DALI-0-10V-1CH-CAS

Sensor Input

Sensor Type	Motion (ON/OFF)
Input Voltage	12-24 Vdc
Input Current	1-5mA

Connection Terminals

Fixed Device	Locknut with 1/2" NPT-thread
Mains Input L	12 AWG
Mains Input N	18 AWG
Relay Output	12 AWG
Low voltage sensor input	18 AWG
Low voltage output (0-10V/DALI)	22 AWG

Environmental Specifications

Operating Temperature	-40 °C to 55°C
Storage Temperature	-40 °C to 85°C
Working Humidity	10% to 80%
Storage Humidity	5% to 95%
Lifetime	at Tc 75°C: 50,000 hrs @ 120 Vac
Maximum Tc Temperature	85°C
Lifetime Rating	50,000 hrs
Moisture and Dust Rating	IP20
Wireless Range (Open Air)	≥50 m (164ft)

XYSTON

AC Powerpack Controller

XNAPPK DALI-0-10V-1CH-CAS

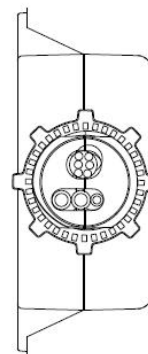
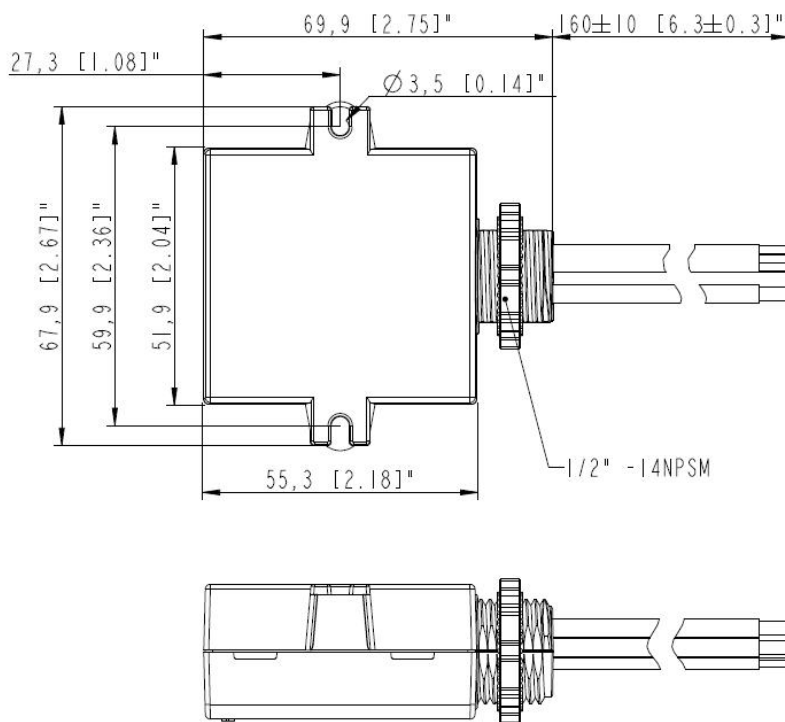
Product Dimensions

Housing Dimensions

Length	70 mm / 2.76in
Width	68mm / 2.67in
Height	27mm / 1.06in
Weight	110g

Packaging Details

Packing Units	40 pcs
Carton Size	322x260x218 mm (12.67x10x8.6 in)
Weight	5 kg



XYSTON

AC Powerpack Controller

XNAPPK DALI-0-10V-1CH-CAS

Wiring Diagram

Figure 1

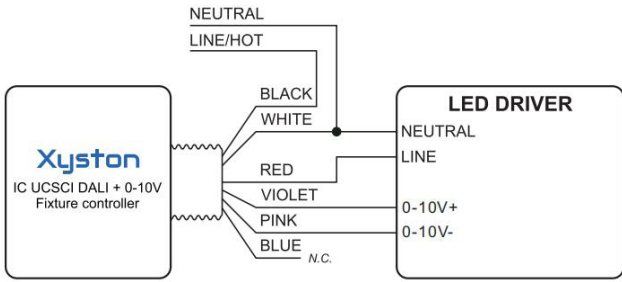


Figure 2

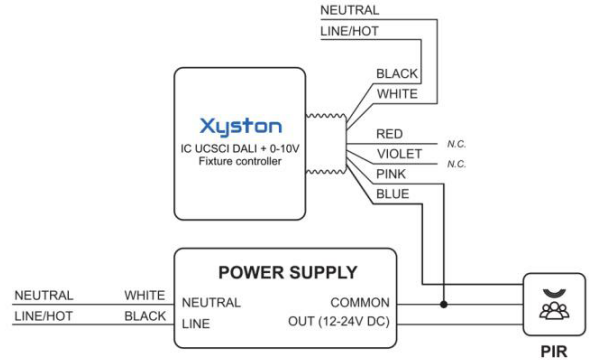


Figure 3

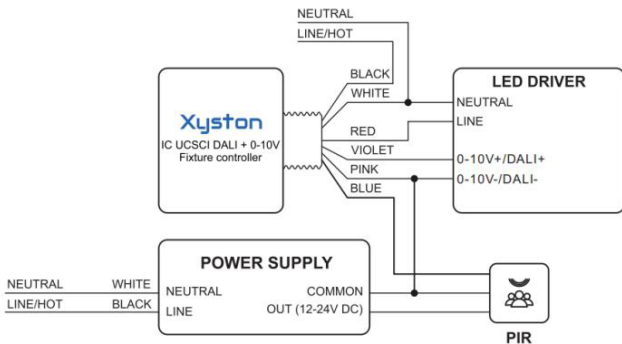


Figure 4

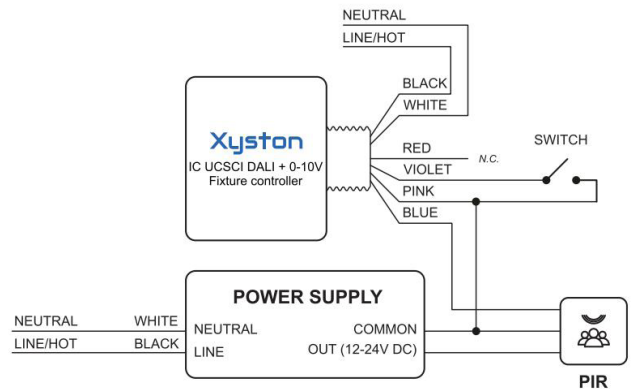


Figure 5

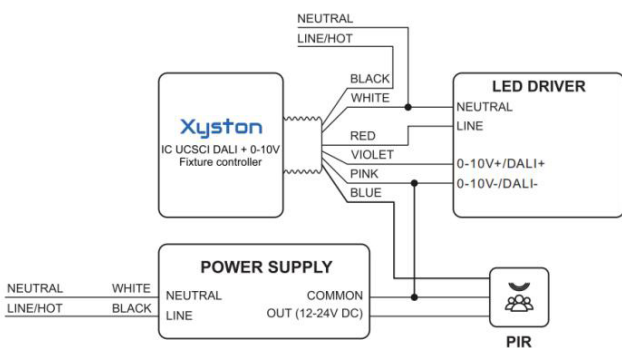
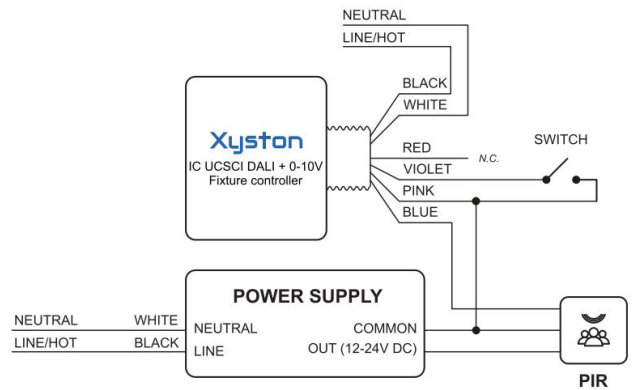


Figure 6



XYSTON

AC Powerpack Controller

XNAPPK DALI-0-10V-1CH-CAS

Wiring Specifications

Name	Function	Color	Gauge	Type	Length	Strip Length
L	Input Hot	Black	12 AWG	Solid	20cm / 7.78in	0.8-1cm / 0.3149-0.3149in
L1	Switched Hot out	Red	12 AWG	Solid	20cm / 7.78in	0.8-1cm / 0.3149-0.3149in
N	Neutral	White	18 AWG	Solid	20cm / 7.78in	0.8-1cm / 0.3149-0.3149in
0-10V+/DALI+	Dimming Level	Purple	22 AWG	Solid	20cm / 7.78in	0.8-1cm / 0.3149-0.3149in
0-10V-/DALI-	Low Voltage common	Pink	22 AWG	Solid	20cm / 7.78in	0.8-1cm / 0.3149-0.3149in
Sensor	Sensor high & low level input	Blue	22 AWG	Solid	20cm / 7.78in	0.8-1cm / 0.3149-0.3149in
AUX 1	12V @ 100mA	Red	22 AWG	Solid	20cm / 7.78in	0.8-1cm / 0.3149-0.3149in
AUX 2	24V @ 100mA	Yellow	22 AWG	Solid	20cm / 7.78in	0.8-1cm / 0.3149-0.3149in

- All connections must be as short as possible to ensure good EMI performance.
- No secondary switches are allowed.
- Incorrect wiring can damage the fixtures.
- The wire must be well protected against short circuit.