

# XYSTON

## RF Interface Relay Module XNAPPK KN-RFBridge



### Product Features

- Single Pole Double Throw (SPDT) for versatile switch integration
- Input for wired switch to enhance existing controls
- Functions as a wireless bridge between Casambi and up to 10 Xyston kinetic switches
- Casambi Ready for seamless smart system integration
- Powerpack form factor for easy installation and compatibility

CASAMBI



### Product Specifications

Power Supply	DC 8-36V
Radio Frequency	433MHz + 2.4GHz
Inputs	1 input for existing wired switch
Max. Load	SPDT 5A(1 way) Resistive load: 1100W(220V~)
Operating Range	Up to 50m outdoors, Up to 25m indoors (Depending on building materials)
Operating Temperature	-20°C to 55°C / -4°F to 131°F
Memory Capacity	Up to 10 Xyston kinetic switches
Standby Power Consumption	≤0.5W
RF Receive Sensitivity	-110dB m
IP Rating	IP20
Compliant With	EN60669-1:2018 EN IEC55015:2019

# XYSTON

## RF Interface Relay Module

### XNAPPK KN-RFBridge

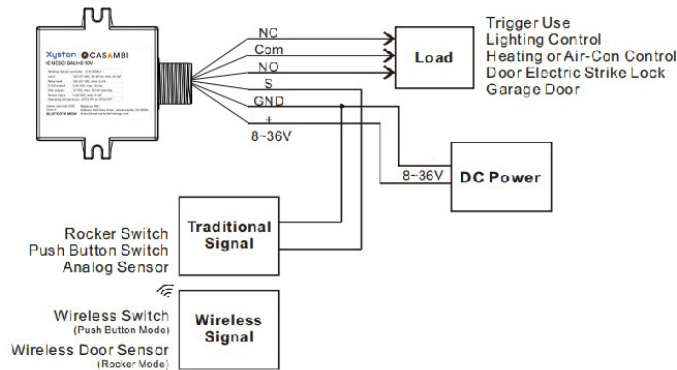
#### Product Dimensions

##### Housing Dimensions

Length	69.9mm / 2.75in
Width	67.9mm / 2.67in
Height	27mm / 1.06in

##### Packaging Details

Packing Units	TBD
Carton Size	TBD
Weight	TBD



#### Wiring Diagram

