

XYSTON

CV 5 Channel Dimmer XNAPPK PWM5CH-CAS



Product Features

- 12V–57V input/output range for flexibility in various LED applications
- 5-channel PWM control for precise dimming and customization
- Supports up to 6A per channel for high-performance LED management
- 360W per channel at 60VDC input, ensuring powerful and efficient operation
- Casambi Ready for seamless integration with smart lighting systems
- Sensor input for automated, responsive lighting control

Product Specifications

Max. Input Voltage	12–57 VDC
Max. Input Current	6A
Max. Output Voltage	Same as input
Output Current	Same as input
Device Control	PWM (Casambi App)
Wire Type	12–18AWG
Cable Length	20cm / 7.9 in
Dimensions	70 x 68 x 27 mm / 2.8 x 2.7 x 1 in
Ambient Temperature, t_a	-40°C to 50°C / -40°F to 122°F
Max. Case Temperature, t_c	85°C / 185°F
Storage Temperature	-40 to 85°C / -40°F to 185°F
Max. Relative Humidity	0–80%, non-cond.
IP Rating	IP20 (Indoor Use Only)
App	Casambi

XYSTON

CV 5 Channel Dimmer

XNAPPK PWM5CH-CAS

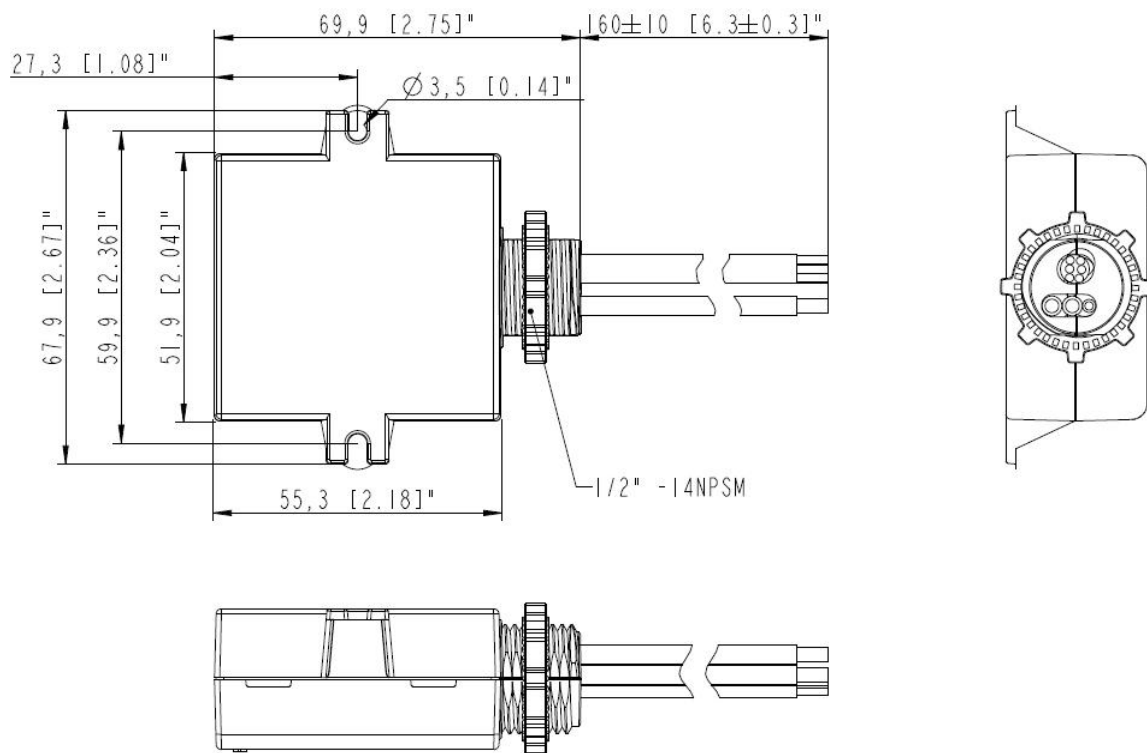
Product Dimensions

Housing Dimensions

Length	70mm / 2.76in
Width	68mm / 2.67in
Height	27mm / 1.06in
Weight	73g

Packaging Details

Packing Units	TBD
Carton Size	TBD
Weight	TBD



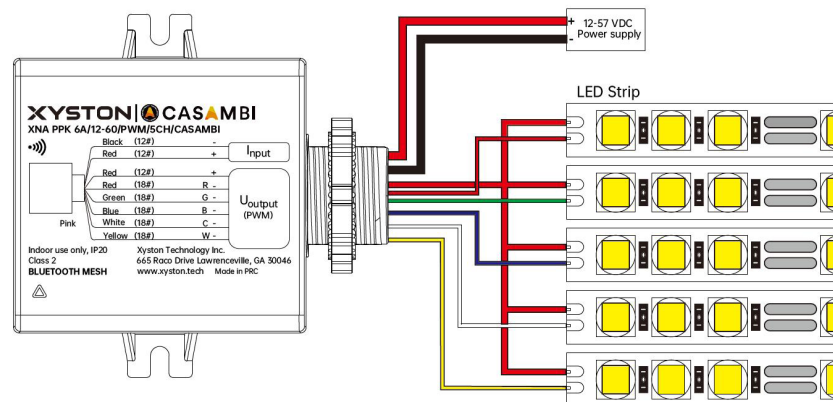
XYSTON

CV 5 Channel Dimmer

XNAPPK PWM5CH-CAS

Wiring Diagram

Sing Colour LED Strip



RGBCW LED Strip

