

XYSTON

Mini Multi-Use Sensor XNASSR 12-24V-PDL-RW-CAS



Product Features

- 12-24VDC input for compatibility with various systems
- PIR Sensor for efficient motion detection
- Bluetooth control with single-channel 0-10V dimming for easy adjustment of lighting levels
- Casambi Ready for seamless integration into smart lighting systems
- Ambient light sensor to maintain constant illumination

CASAMBI



Product Specifications

Power Supply Method	DC12-24V
Operating Current	50mA (max)
Max. launch power	8dBm
Rx Sensitivity	-92dB
IP Rating	IP20
Mounting Height	<20ft or 6m (Open environment)
Radio Frequency	2405-2480MHz
Transmission Range	50m / 164ft
Light Range (Adjustable)	10-1000lux
Detection Angle	360°
Operating Temperature	-20 to 60°C
Storage Temperature	-20°C to 80°C
Indicator Light	Green
Environment	Indoor Use Only
Implementation Standards	USA: ASHRAE 90.1, IECC and Title 24,FCC Energy Code requirements.

page 1

XYSTON

Mini Multi-Use Sensor

XNASSR 12-24V-PDL-RW-CAS

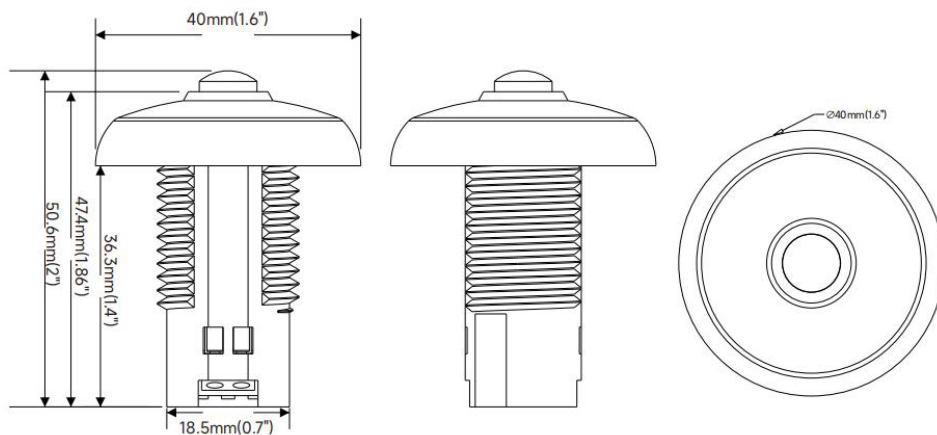
Product Dimensions

Housing Dimensions

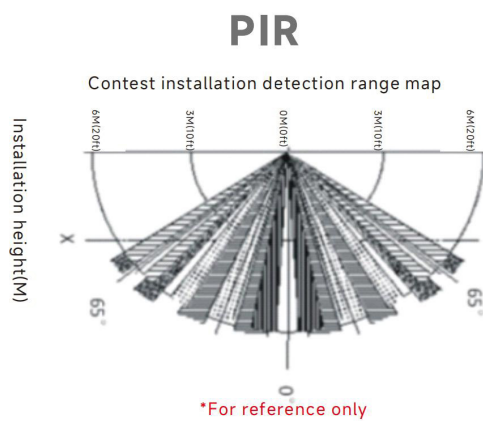
Length	50.6mm / 2.0in
Width	40mm / 1.57in
Height	818.5mm / 0.73in
Weight	20g

Packaging Details

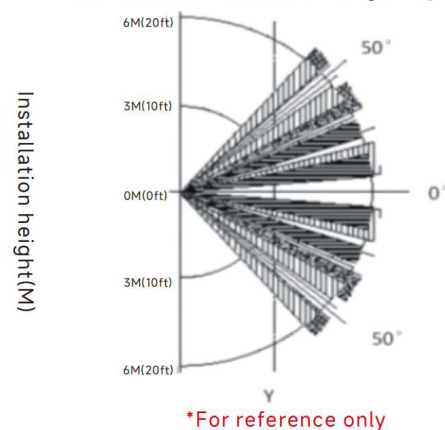
Packing Units	TBD
Carton Size	TBD
Weight	TBD



Sensor Detection Angle



Wall installation detection range map



XYSTON

Mini Multi-Use Sensor

XNASSR 12-24V-PDL-RW-CAS

Wiring Diagram

