

XYSTON

Zhaga/Z10 Sensor XNASSR 12-24V-PDL-ZHAGA-CAS



Product Features

- PIR sensor with adjustable sensitivity for customized motion detection
- Bluetooth control with single-channel 0-10V dimming for easy lighting adjustments
- Casambi Ready for seamless integration into smart lighting networks
- Light sensor to maintain constant illumination based on ambient light conditions

CASAMBI



Product Specifications

Power Supply Method	DC12-24V
Operating Current	100mA (max)
Max. Tx Power	8dBm
Rx Sensitivity	-92dB
IP Rating	IP20
Mounting Height	Open Environment: Up to 40ft (12m)
Communication Frequency	2405 - 2480MHz
Transmission Range	164ft (50m)
Light Range (Adjustable)	10-1000lux
Detection Angle	360°
Operating Temperature	-20 to 60°C
Environment	Indoor use only
Implementation Standards	Europe: CE/ROHS USA: ASHRAE 90.1, IECC and Title 24,FCC

XYSTON

Zhaga/Z10 Sensor

XNASSR 12-24V-PDL-ZHAGA-CAS

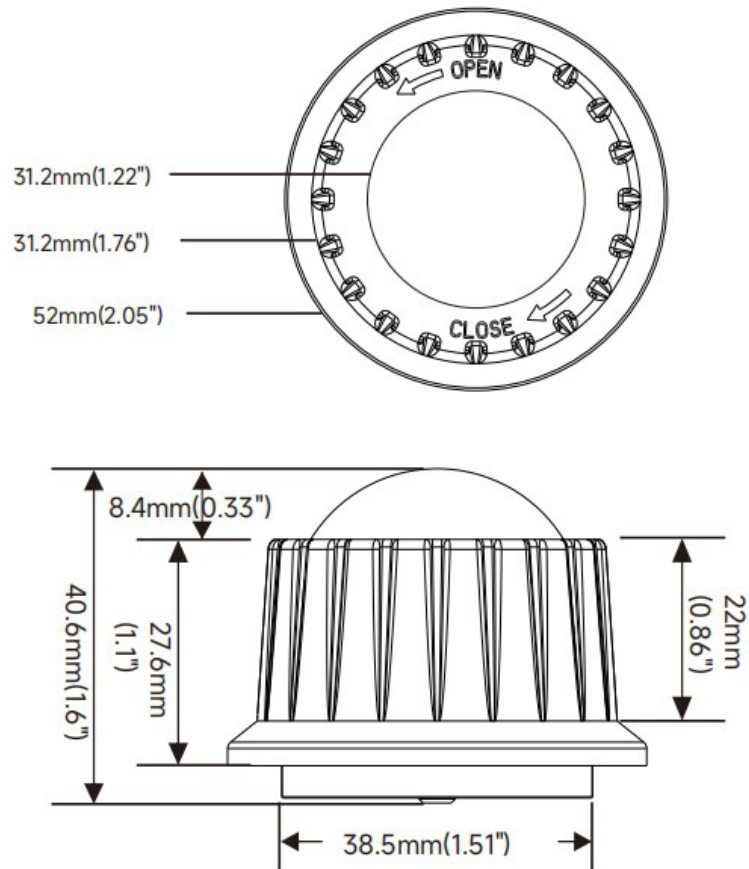
Product Dimensions

Housing Dimensions

Length	52mm / 2.047in
Width	52mm / 2.047in
Height	40.6mm / 1.598in
Weight	40g

Packaging Details

Packing Units	TBD
Carton Size	TBD
Weight	TBD

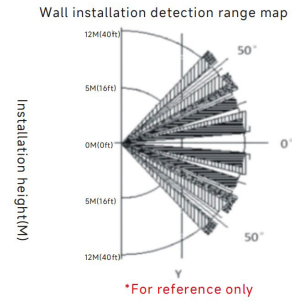
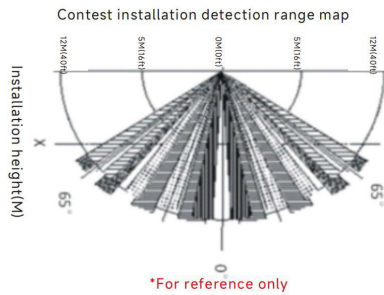


XYSTON

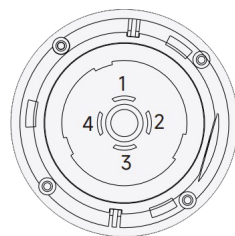
Zhaga/Z10 Sensor

XNASSR 12-24V-PDL-ZHAGA-CAS

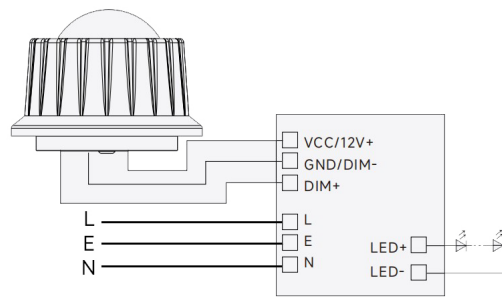
Sensor Detection Angle



Wiring Diagram



PIN 1: 12V
 PIN 2: GND / DIM-
 PIN 3: NC
 PIN 4: DIM+



Installation Diagram

